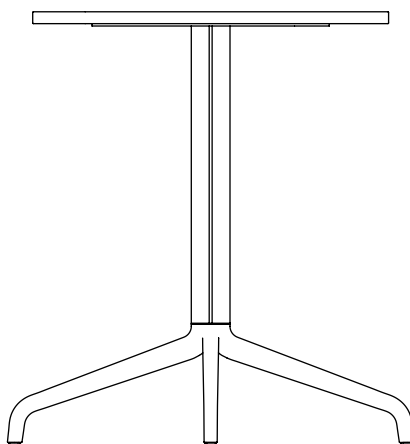
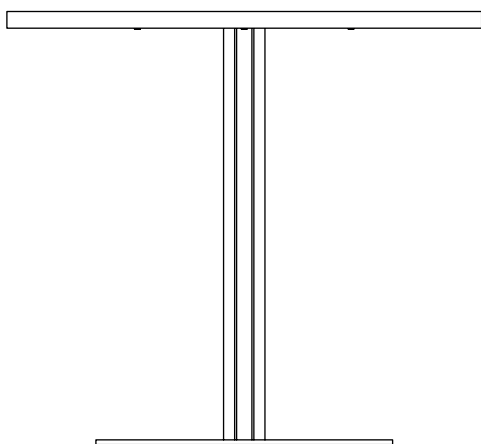


# Harbour Column Table, Series by Norm Architects



MENU

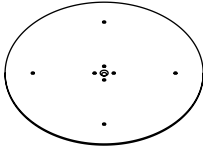
# Components

Harbour Column Table

Column x 1



Top Plate x 1



Base Plate x 1

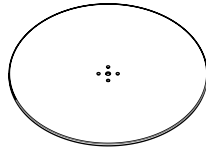
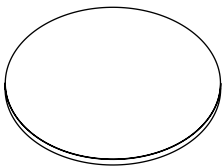
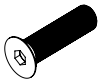


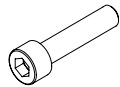
Table Top x 1



Base Screws M6x16 x 8



Top Screws M6x16 x 4



Allen Key x 1

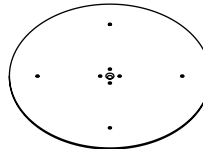


Harbour Column Table w/ star base

Column x 1



Top Plate x 1



Base Plate x 1

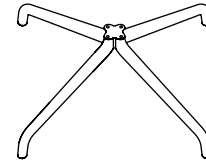
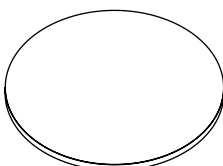
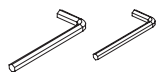


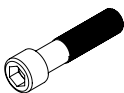
Table Top x 1



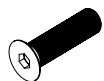
Allen Key x 2



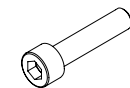
Base Screws M6x16 x 4



Topplate Screws M6x16 x 4

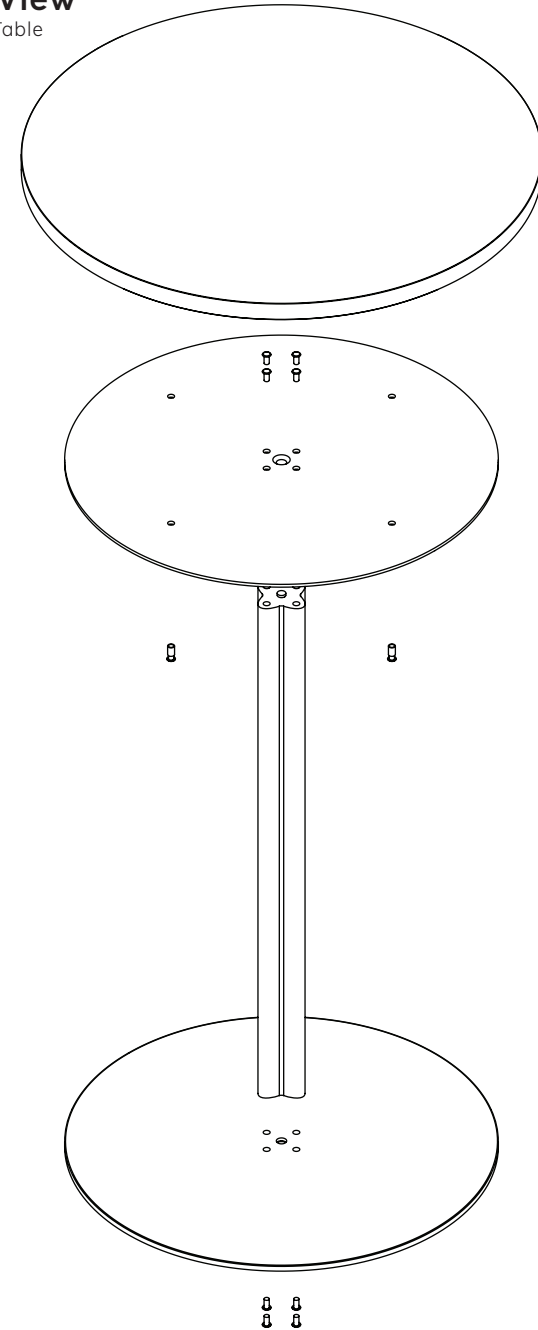


Top Screws M6x16 x 4



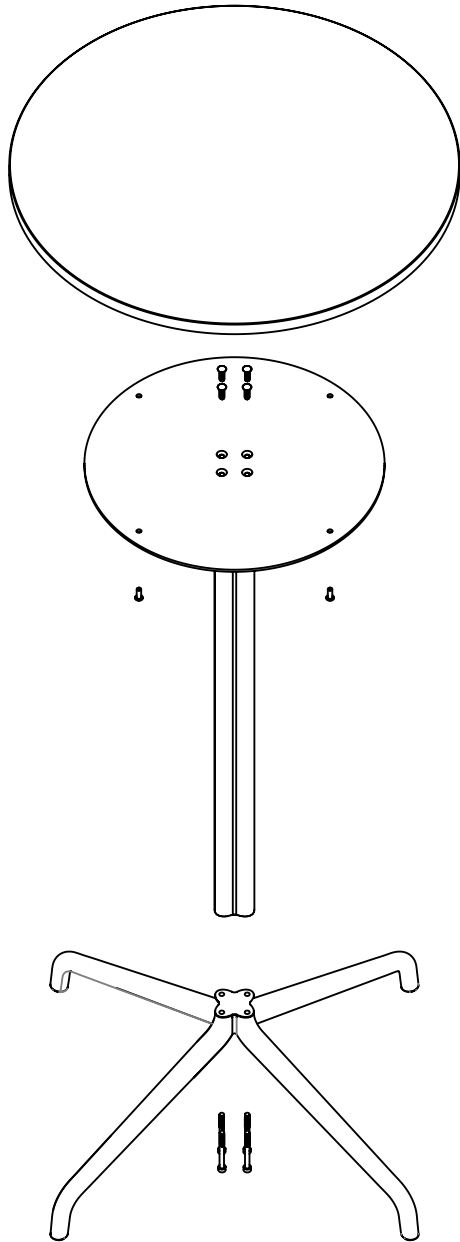
# Exploded View

Harbour Column Table



# Exploded View

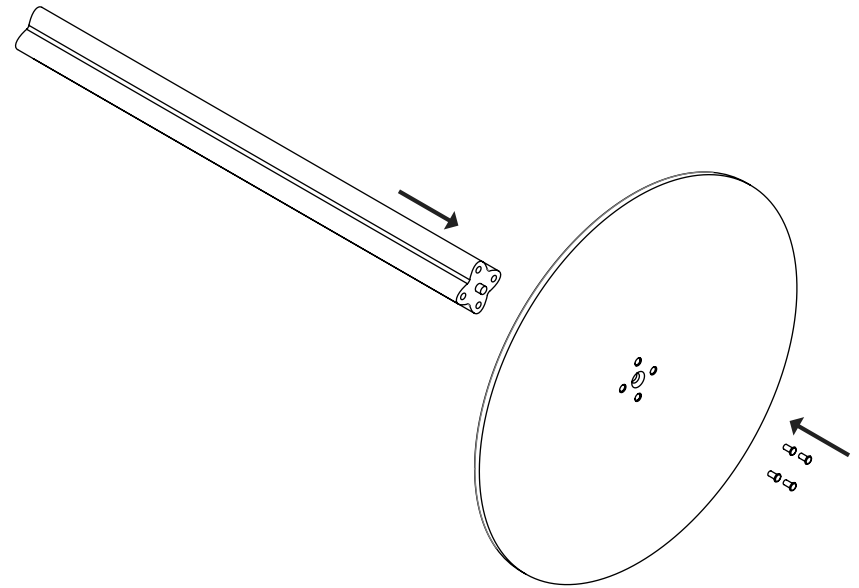
Harbour Column Table w/ star base



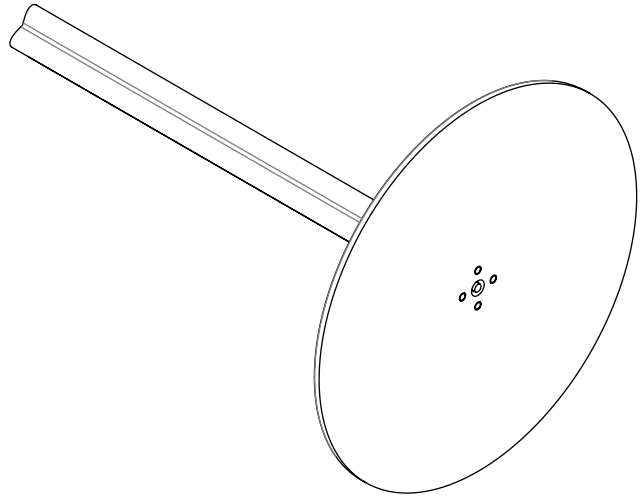
1

NOTE - The assembly process is the same for Harbour Column Table and Harbour Column Table w/ Star Base.

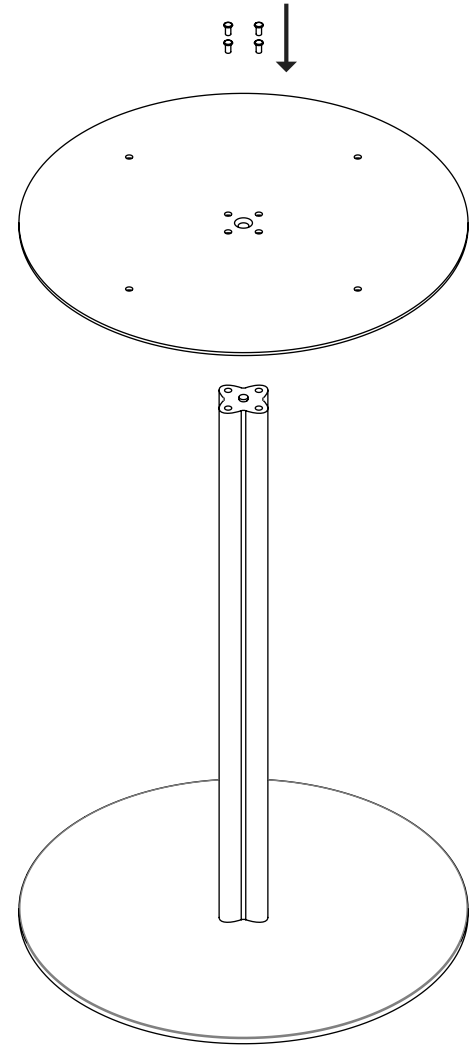
NOTE - Please ensure that all assembly is done on a soft surface, to ensure that the components will not be damaged/scratched.



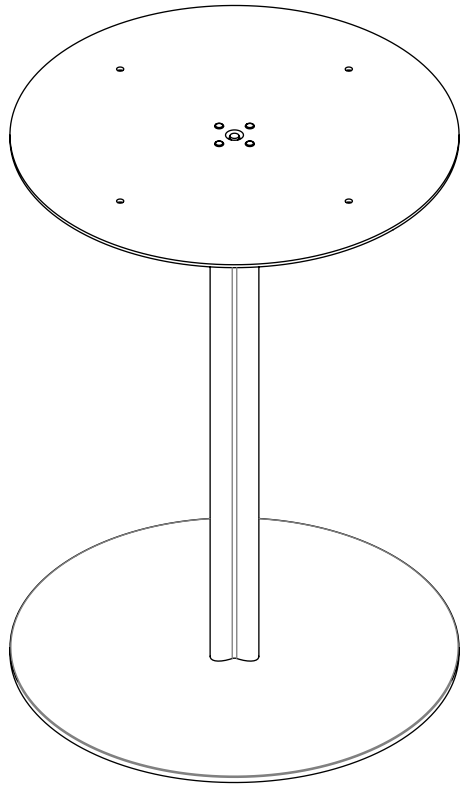
2



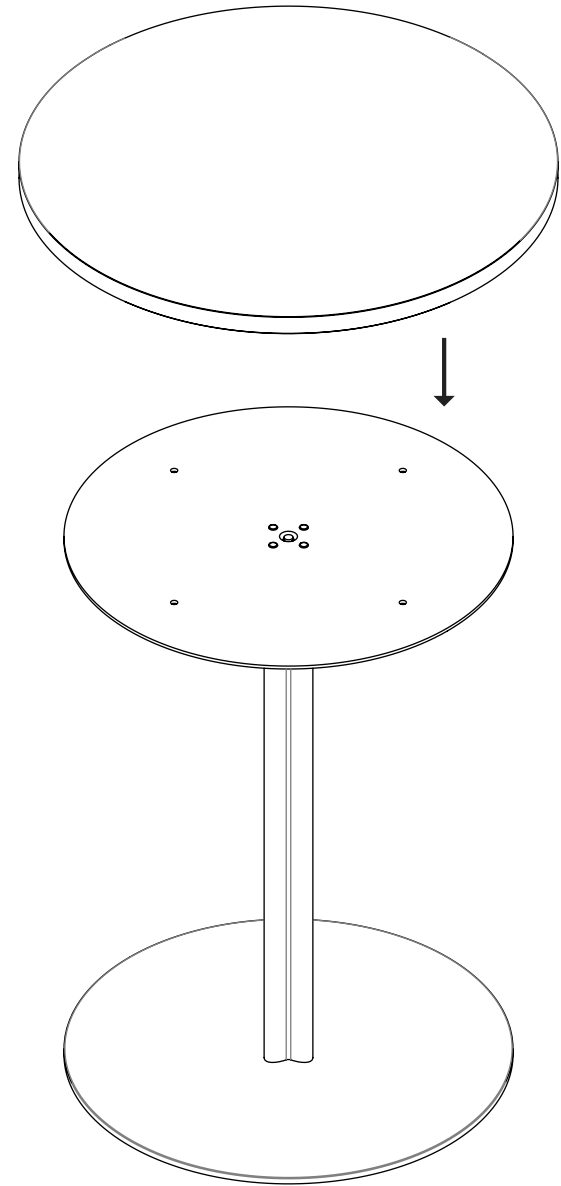
3



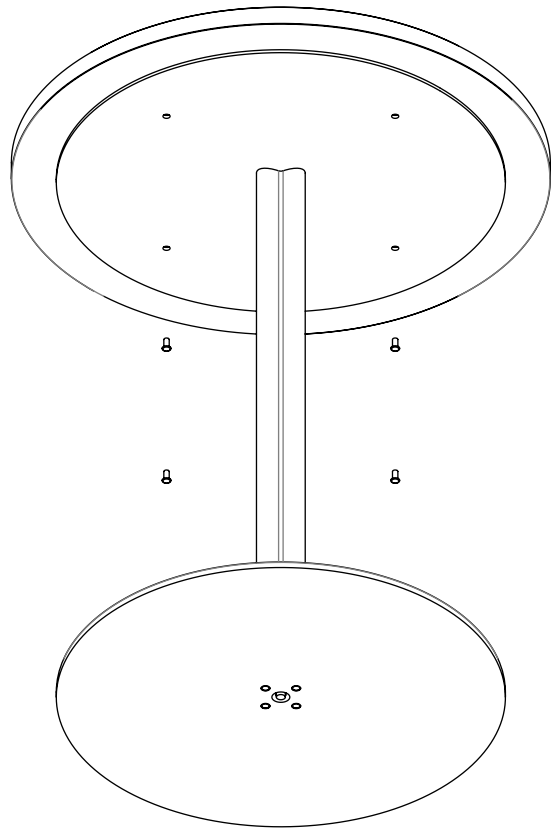
4



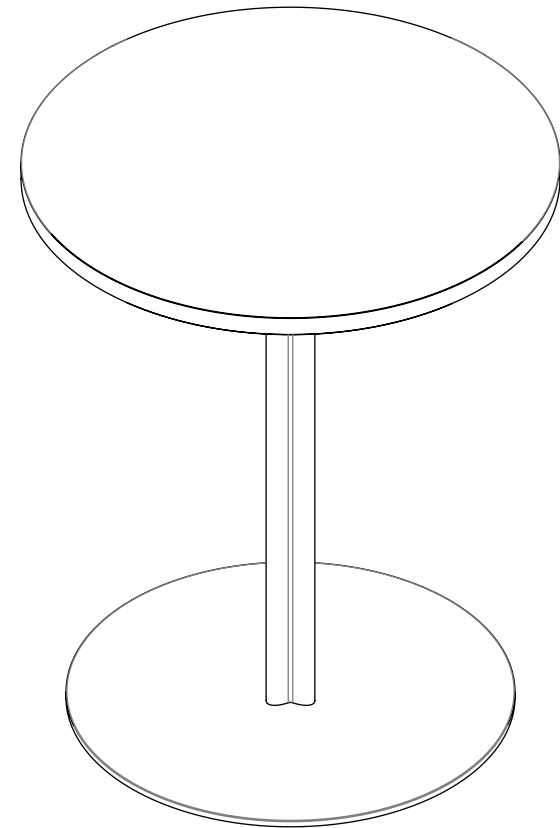
5



6



7



NOTE - Please ensure to tighten all screws frequently or when necessary, as they can get loose over time.

